



P.O. Box 22326  
Lincoln, NE 68542

PF: 402/421-9464 | WEBSITE: [www.sitescapesonline.com](http://www.sitescapesonline.com)  
FX: 402/421-9479 | E-MAIL: [info@sitescapesonline.com](mailto:info@sitescapesonline.com)

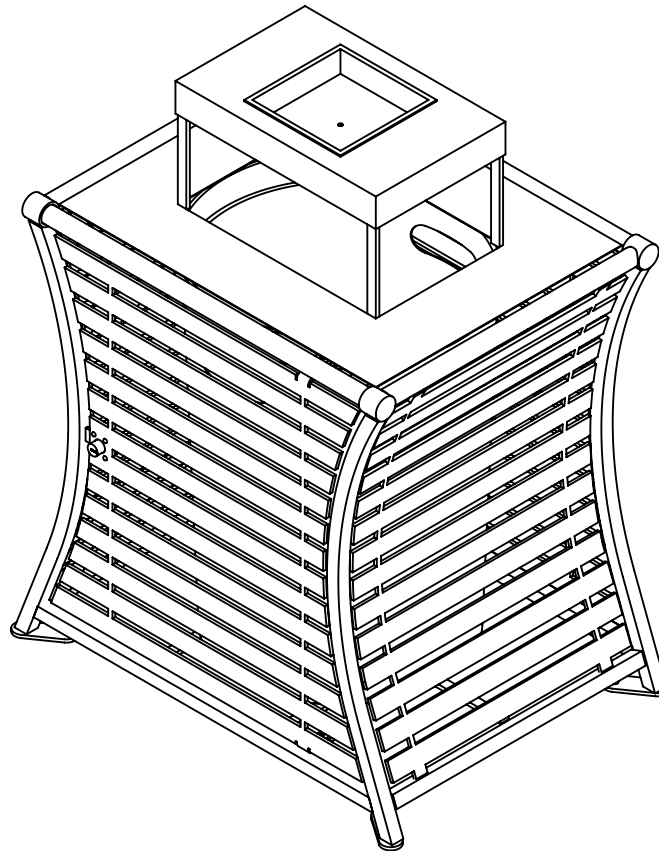
TITLE *WESTPORT  
RECEPTACLE*

PRODUCT NO.  
*WP2-2202*

INCH TOLERANCES U.O.S.  
FRACTION--  $\pm 1/16$ "  
ANG-----  $\pm 1^\circ$

THE INFORMATION CONTAINED IN THIS DRAWING IS THE SOLE PROPERTY OF SITESCAPES, INC. ANY REPRODUCTION IN PART OR AS A WHOLE WITHOUT THE WRITTEN PERMISSION OF SITESCAPES, INC. IS PROHIBITED.

\*Available in powder coat and DuraCoat finishes





P.O. Box 22326  
Lincoln, NE 68542

PF: 402/421-9464  
FX: 402/421-9479

WEBSITE: [www.sitescapesonline.com](http://www.sitescapesonline.com)  
E-MAIL: [info@sitescapesonline.com](mailto:info@sitescapesonline.com)

TITLE *WESTPORT  
RECEPTACLE*

PRODUCT NO.  
*WP2-2202*

FRACTION--  $\pm 1/16"$   
ANG-----  $\pm 1^\circ$

THE INFORMATION CONTAINED IN THIS DRAWING IS THE SOLE PROPERTY OF SITESCAPES, INC. ANY REPRODUCTION IN PART OR AS A WHOLE WITHOUT THE WRITTEN PERMISSION OF SITESCAPES, INC. IS PROHIBITED.

\*Available in powder coat and DuraCoat finishes

Materials List

- (1) Panels - 1/4" Steel Plate
- (2) Top Support Bars -  $\phi 1.315"$  x .133" Wall Steel Tubing
- (3) Side Support Bars - 1" Sq. Steel Flat Bar
- (4) Bottom Support Bars - 3/4" x 5/16" Steel Flat Bar
- (5) Lid - .06" Steel Plate
- (6) Ash Pan - 12 Ga. Stainless Steel Plate
- (7) Surface Mount Plates - 1/4" x 1 1/2" Stainless Steel Plate with 9/16" Mounting Holes
- (8) Mounted with Four  $\phi 1/2"$  x 4-5" Stainless Steel Anchor Bolts (Customer Supplied)
- (9) Hinged Door with Key Lock
- (10) 36 Gallon Rigid Plastic Liner with Handles Included

