



P.O. Box 22326
Lincoln, NE 68542

PF: 402/421-9464
FX: 402/421-9479

WEBSITE: www.sitescapesonline.com
E-MAIL: info@sitescapesonline.com

INCH TOLERANCES U.O.S.

FRACTION-- $\pm 1/16"$
ANG----- $\pm 1^\circ$

THE INFORMATION CONTAINED IN THIS DRAWING IS THE SOLE PROPERTY OF SITESCAPES, INC. ANY REPRODUCTION IN PART OR AS A WHOLE WITHOUT THE WRITTEN PERMISSION OF SITESCAPES, INC. IS PROHIBITED.

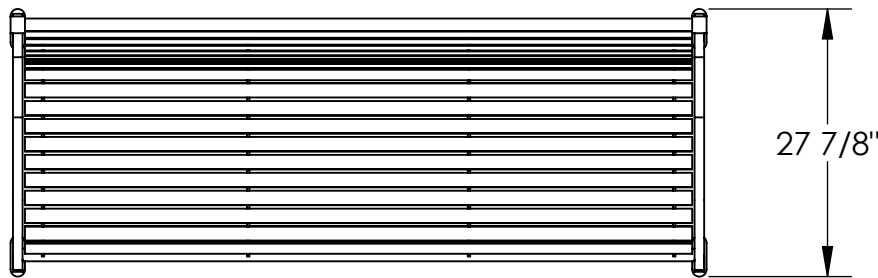
TITLE
**WESTPORT
BACKED BENCH**

PRODUCT NO.
WP1-1060

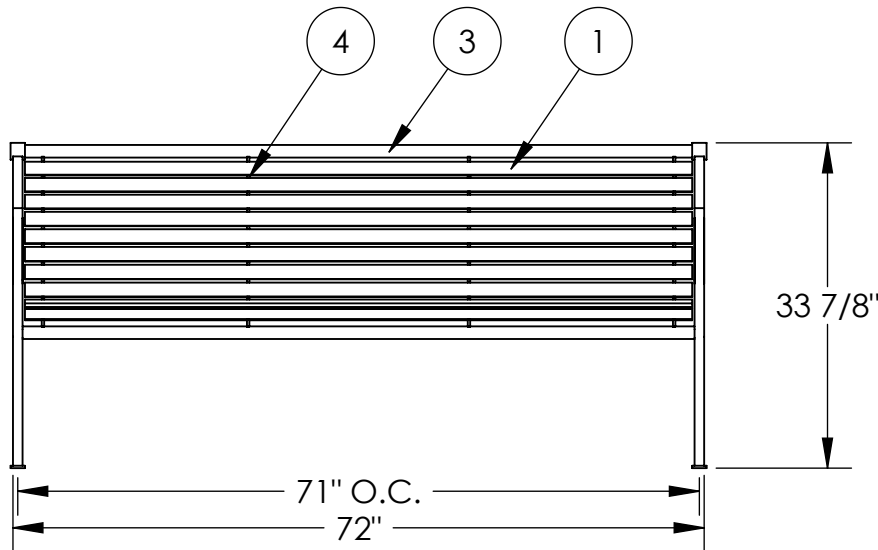
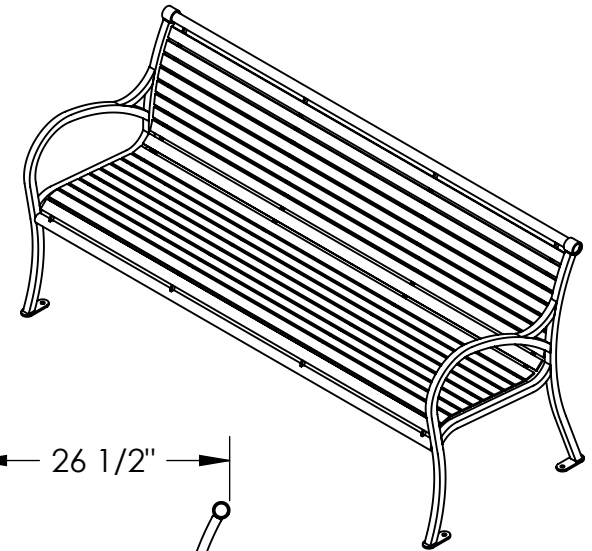
*Available in powder coat and DuraCoat finishes

Materials List

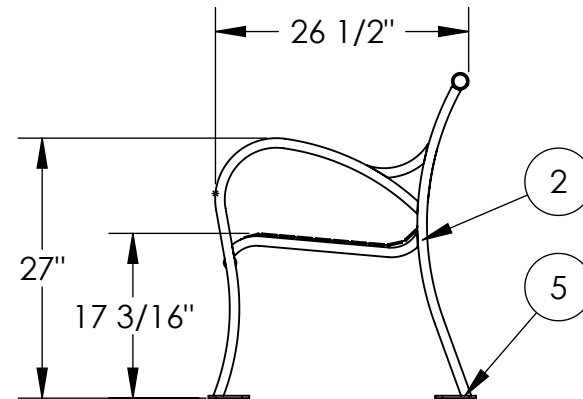
- (1) Seat Straps - 3/16" x 1 1/2" Steel Flat Bar
- (2) End Units - 1" Square Solid Steel Bar
- (3) Support Pipes - $\phi 1.315"$ x .133" Steel Pipe
- (4) Support Straps - 1/4" Laser Cut Steel
- (5) Surface Mount Plates - 1/4" x 1 1/2" Stainless Steel Plate with 9/16" Mounting Hole
- (6) Mounted with Four $\phi 1/2"$ x 4-5" Stainless Steel Anchor Bolts (Customer Supplied)



TOP VIEW



FRONT VIEW



RIGHT SIDE VIEW