



TRADITIONAL DRINKING FOUNTAINS

Retro Series

MODEL M-40

ROUND SINGLE HEIGHT
WITH FOOT PEDAL

STANDARD FEATURES

Model M-40 features rugged simplicity to provide anti-freezing functionality with the control valve located below the frost line. Activating the pedal raises or lowers the internal supply line and waste tube assembly, controlling the valve. Constructed with all brass and a stainless steel mainspring, the M-40 is equipped with an automatic stream control for year-round use. The M-40 designed for trouble free reliability and easy maintenance. Standard brass castings conform to ASTM standards B61 and B62 for cast metals.

SUGGESTED SPECIFICATIONS

Drinking fountain shall be Murdock-Super Secur model M-40. Unit shall be capable of year-round use in freezing or inclement weather.

Base shall be fabricated of heavy, one-piece iron casting. Bowl shall supported by a black pipe outer casing. Base and outer casing shall be finished with a heavy grade oil-based enamel paint.

Bowl shall be a round, chrome-plated, solid brass casting with outer edge at least 8-1/2" from center of bubbler outlet. Drain opening in the bowl shall be fabricated of chrome-plated, solid brass casting and shall be adequately protected from stoppage and vandalism. Bubbler shall be chrome-plated, solid brass casting with outlet near edge of bowl above the rim. Mouthguard shall be chrome-plated, solid brass casting mounted on the outer edge of bowl to meet sanitary requirements. All solid brass castings shall conform to ASTM standards B61 and B62. Valve and bubbler conform with lead-free requirements of NSF61, Section 9, 1997 and CHSC 116875.

Valve shall be foot pedal operated spring loaded to close. Pedal shall consist of aluminum bronze. The mainspring shall be stainless steel wire with a 1/4" minimum diameter.



Standard Model: M-40

DEPTH OF BURY (additional costs may be incurred)

- | | |
|---|---|
| <input type="checkbox"/> 2 ft. (61 cm) | <input type="checkbox"/> 5 ft. (152.4 cm) |
| <input type="checkbox"/> 3 ft. (91.4 cm) | <input type="checkbox"/> 6 ft. (182.9 cm) |
| <input type="checkbox"/> 4 ft. (121.9 cm) | <input type="checkbox"/> Other _____ |

OPTIONS (additional costs may be incurred)

- Chrome plated bowl and mouth guard (Standard)
- Polished brass bowl and mouth guard
- Powder-coated brass bowl and mouth guard
- **Brown** Pedestal color brown (standard)
- **Black** Pedestal color black
- **Green** Pedestal color green

Please visit www.murdock-supersecur.com for most current specifications.



Member of
U.S. Green
Building
Council



Recyclable
Product

Complies with the
following standard::



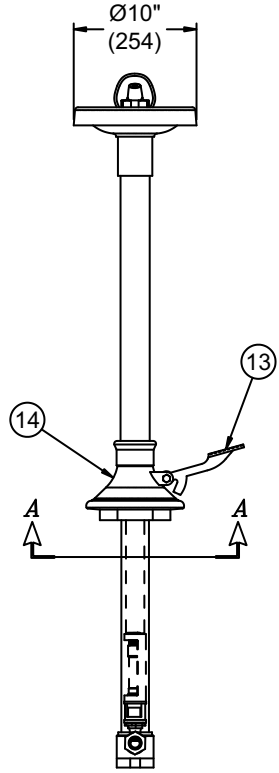
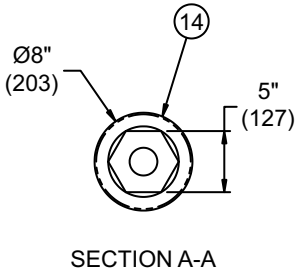
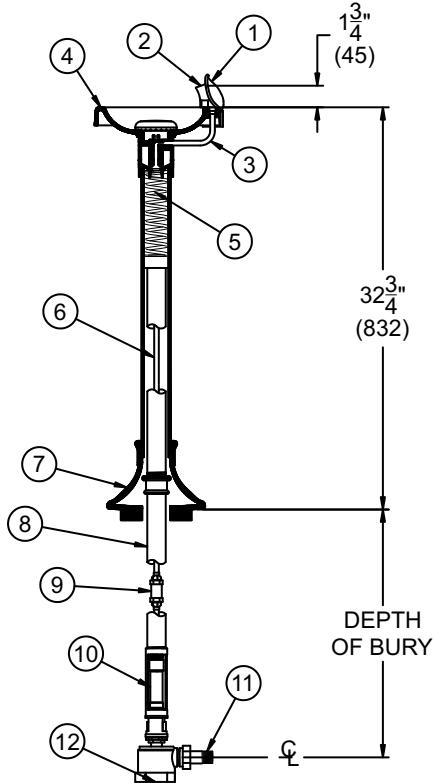
MURDOCK-SUPER SECUR • 15125 Proctor Avenue • City of Industry, CA 91746 USA
Phone 800-453-7465 or 626-333-2543 • Fax 626-855-4860 • www.murdock-supersecur.com





TRADITIONAL DRINKING FOUNTAINS

Retro Series MODEL M-40 ROUND SINGLE HEIGHT WITH FOOT PEDAL



- ① MOUTH GUARD
- ② BUBBLER
- ③ BUBBLER GOOSENECK
- ④ BOWL
- ⑤ MAINSPRING
- ⑥ WATER SUPPLY LINE
- ⑦ PEDALSTAL
- ⑧ WASTE TUBE
- ⑨ .75 GPM FLOW CONTROL
- ⑩ VALVE
- ⑪ 3/4" IPS MALE SUPPLY CONNECTION
- ⑫ 2" IPS FEMALE DRAIN CONNECTION
- ⑬ FOOT PEDAL
- ⑭ PEDALSTAL BASE

ONE YEAR LIMITED WARRANTY - Parts are warranted for one (1) year from date of shipment.

| | | |
|--|--|---|
| SELECTION SUMMARY & APPROVAL FOR MANUFACTURING | Model Number & Options _____ Quantity _____ | <p>All dimensions are nominal and subject to change without notice. Murdock-Super Secur assumes no responsibility for use of void or suspended data.</p> <p>© Copyright Murdock-Super Secur, Acorn Family of Companies Please visit www.murdock-supersecur.com for most current specifications.</p> |
| | Company _____ | |
| | Contact _____ Title _____ | |
| | Signature (Approval for Manufacturing) _____ | |
| | Date _____ | |

