



# CONTEMPORARY DRINKING FOUNTAINS

## GR Series

**MODEL GRM45**  
BARRIER FREE, BI-LEVEL  
PEDESTAL MOUNTED  
DRINKING FOUNTAIN

### STANDARD FEATURES

- Resistant to sunlight, heat, moisture and wear
- 18 gage, 304 stainless steel bowl
- 12 gage, heavy duty stainless steel, corrosion and scratch resistant finish
- Polished Stainless Steel, anti-rotation non-squirt bubbler
- 100 mesh inlet strainer
- Access door, heavy duty stainless steel, vandal resistant
- Vandal resistant stainless steel bottom plate

### SUGGESTED SPECIFICATIONS

Model GRM45 is a barrier free pedestal mounted, vandal resistant, bi-level round drinking fountain made from 18 gage, 304 stainless steel bowls mounted into a green powder coated 12 gage, heavy duty stainless steel pedestal. Unit shall be activated by front mounted self-closing buttons, by using less than 5 pounds of force, which activates internally mounted valves with adjustable stream regulators controlling the water flow. Bubblers shall be polished stainless steel with non-squirt features and operate on water pressure range of 20 - 105 psig. Fountain is certified to ANSI A117.1, Public Law 111-380 (NO-LEAD), CHSC 116875 and NSF/ANSI 61, Section 9. Fixture meets ADA, ADA Standing Person, and ADA Child requirements when mounted appropriately.



### MODEL:

(Must Specify)

- GRM44 Satin stainless finish
- GRM45 Green powder-coated (Shown)
- GRM46 Red powder-coated
- GRM47 Blue powder-coated

Custom color finishes available upon request

### OPTIONS

(additional costs may be incurred)

- CH30 Child height, 30" bubbler height
- FRU2 Freeze resistant, 2 valves <sup>1</sup>
- FRU3 Freeze resistant, 3 valves <sup>1</sup>
- FRU4 Freeze resistant, 4 valves <sup>1</sup>
- FS Foot spray
- HB1 Hose bibb, compression, with hose threaded outlet/VB <sup>1 2</sup>
- HB2 Hose bibb, loose key, with hose threaded outlet/VB <sup>1 2</sup>
- HB3 Hose bibb, loose key, vandal resistant, with hose threaded outlet/VB <sup>1 2</sup>
- IGM In-ground 14" mounting
- JF1 Jug filler, spigot, self-closing valve with plain end <sup>1 2</sup>
- JF2 Jug filler, pushbutton, self-closing valve with plain end <sup>1</sup>
- NP2 Non-pollutable, freeze resistant, 2 valves
- NP3 Non-pollutable, freeze resistant, 3 valves
- NP4 Non-pollutable, freeze resistant, 4 valves
- PF Pet fountain receptor <sup>1</sup>

#### Options Notes:

<sup>1</sup> See separate option sheet.

<sup>2</sup> This option is not available freeze-resistant.

Complies with the following standards:



Member of  
U.S. Green  
Building  
Council



Recyclable  
Product



Water  
Conserving  
Product

Please visit [www.murdockmfg.com](http://www.murdockmfg.com)  
for most current specifications.

**MURDOCK MFG.** • 15125 Proctor Avenue • City of Industry, CA 91746 USA  
Phone 800-453-7465 or 626-333-2543 • Fax 626-855-4860 • [www.murdockmfg.com](http://www.murdockmfg.com)

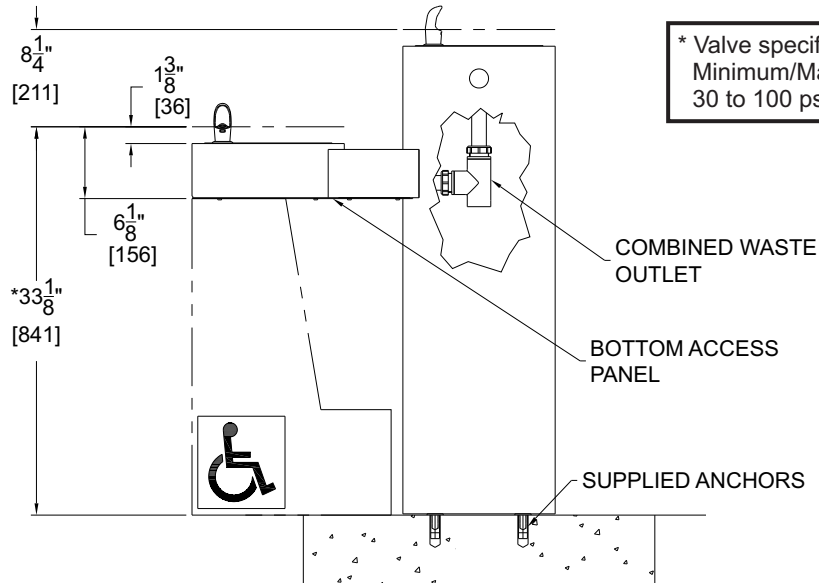
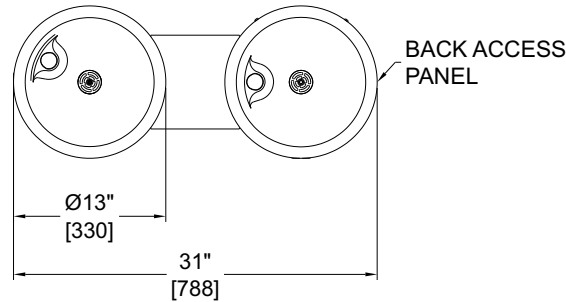
Member of  
**MORRIS GROUP**  
INTERNATIONAL



# CONTEMPORARY DRINKING FOUNTAINS

All dimensions are subject to manufactures tolerance of plus or minus 1/8" nominal and subject to change without notice. Murdock Mfg. assumes no responsibility for use of void or superseded data. Dimensions may change with the addition of optional accessories. Murdock Mfg.™, Member of Morris Group International™. Please visit [www.Murdockmfg.com](http://www.Murdockmfg.com) for most current specifications.

## GR Series MODEL GRM45 BARRIER FREE, BI-LEVEL PEDESTAL MOUNTED DRINKING FOUNTAIN



\* Valve specifications:  
Minimum/Maximum Pressure  
30 to 100 psi.

**GENERAL NOTES:**

1. ALL DIMENSIONS ARE IN INCHES [MM].
- \*2. STANDARD ADULT ADA HEIGHT MODEL SHOWN. OPTIONAL -CH30 CHILD ADA HEIGHT MODEL AVAILABLE.
3. STOP VALVE NOT PROVIDED.

Murdock Mfg.™ warrants that its products are free from defects in material or workmanship under normal use and service for a period of one year from date of shipment. Murdock's liability under this warranty shall be discharged solely by replacement or repair of defective material, provided Murdock™ is notified in writing within one year from date of shipment, F.O.B. Industry, California.

<b>SELECTION SUMMARY &amp; APPROVAL FOR MANUFACTURING</b>	Model Number & Options _____	Quantity _____	All dimensions are subject to manufactures tolerance of plus or minus 1/8" nominal and subject to change without notice. Murdock assumes no responsibility for use of void or superseded data. Dimensions may change with the addition of optional accessories. Murdock Mfg.™, Member of Morris Group International™. Please visit <a href="http://www.murdockmfg.com">www.murdockmfg.com</a> for most current specifications.
	Company _____		
	Contact _____	Title _____	
	Signature (Approval for Manufacturing) _____	Date _____	