



HYDRANTS

Post Hydrant

MODEL M-ESH175VA

(FORMERLY M-ESHSC175VA)

3/4" FREEZE RESISTANT TRIMLINE POST HYDRANT WITH SHUT-OFF, HEAVY DUTY

STANDARD FEATURES

Model M-ESH175VA delivers year-round service outside or in unheated buildings. To provide freeze resistant functionality, the control valve is located below the frost line. The reduced-pressure, spring-loaded handle raises and lowers the internal supply line assembly, controlling the valve. The internal supply column is evacuated through drainage ports in the bottom and an integral internal shut-off valve ensures easy maintenance. This trimline design complements any setting. The hydrant must be operated fully "ON."

SUGGESTED SPECIFICATIONS

Hydrant shall be Murdock-Super Secur model M-ESH175VA. Unit shall be capable of year-round use in freezing weather and shall include an integral shut-off valve.

Unit shall extend below grade level so that centerline of supply inlet is positioned at or below frost line. Unit shall include an integral shut-off valve. VERY IMPORTANT: Supply water pressure for this hydrant shall not exceed 40 psi. If necessary, pressure-reducing valve shall be installed in supply line. Inlet shall have a threaded connection.

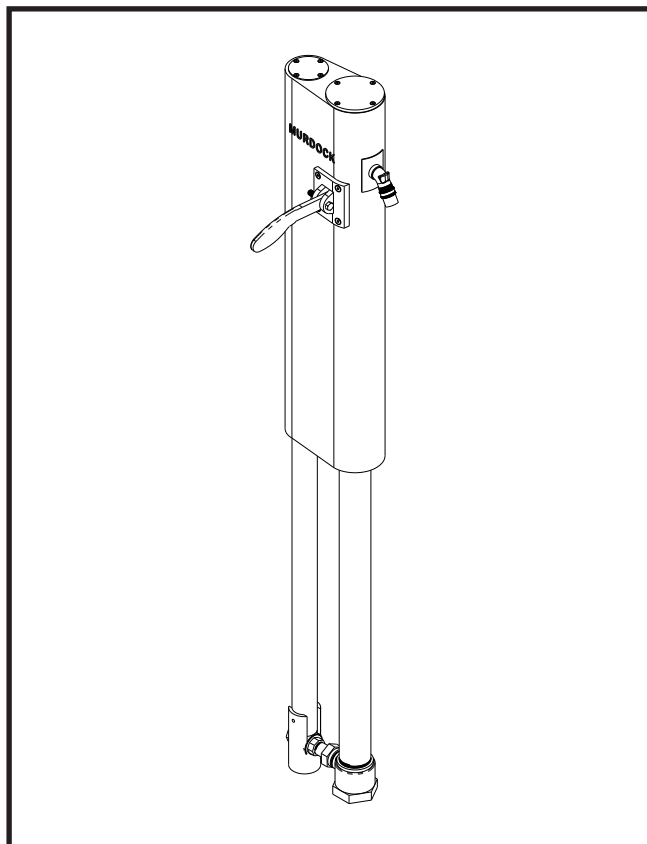
Water shall be gravity-evacuated from inner supply column when valve is shut off.

Valve shall be operated by lever handle spring-loaded for closure. Housing shall be cast aluminum, finished with a heavy grade of oil-based VS bronze enamel. Handle shall be an aluminum-bronze casting. All castings shall be manufactured in the USA and comply with ARRA standards, to include machining, assembly and painting.

Inner supply assembly shall incorporate solid-brass castings. All solid-brass castings shall conform to ASTM standards B61 and B62. Lead-free castings are used in all waterways.

Outer casings and inner supply line shall be galvanized-steel pipe.

Nozzle shall be solid brass casting, threaded for 3/4" hose connection.



Standard Model: M-ESH175VA

DEPTH OF BURY (additional costs may be incurred)

- | | |
|---|---|
| <input type="checkbox"/> 2 ft. (61 cm) | <input type="checkbox"/> 5 ft. (152.4 cm) |
| <input type="checkbox"/> 3 ft. (91.4 cm) | <input type="checkbox"/> 6 ft. (182.9 cm) |
| <input type="checkbox"/> 4 ft. (121.9 cm) | <input type="checkbox"/> Other |

OPTIONS (additional costs may be incurred)

- | | |
|--------------------------------|---|
| <input type="checkbox"/> - BFH | Double ball check valve and vacuum breaker* |
| <input type="checkbox"/> - OM | Omniflow (laminar flow) outlet |
| <input type="checkbox"/> - VB | Vacuum breaker |
| <input type="checkbox"/> | Plain end outlet (no threads) |
| <input type="checkbox"/> | Green enamel |
| <input type="checkbox"/> | Black enamel |

* See separate option sheets

Please visit www.murdock-supersecur.com for most current specifications.



Member of
U.S. Green
Building
Council



Recyclable
Product

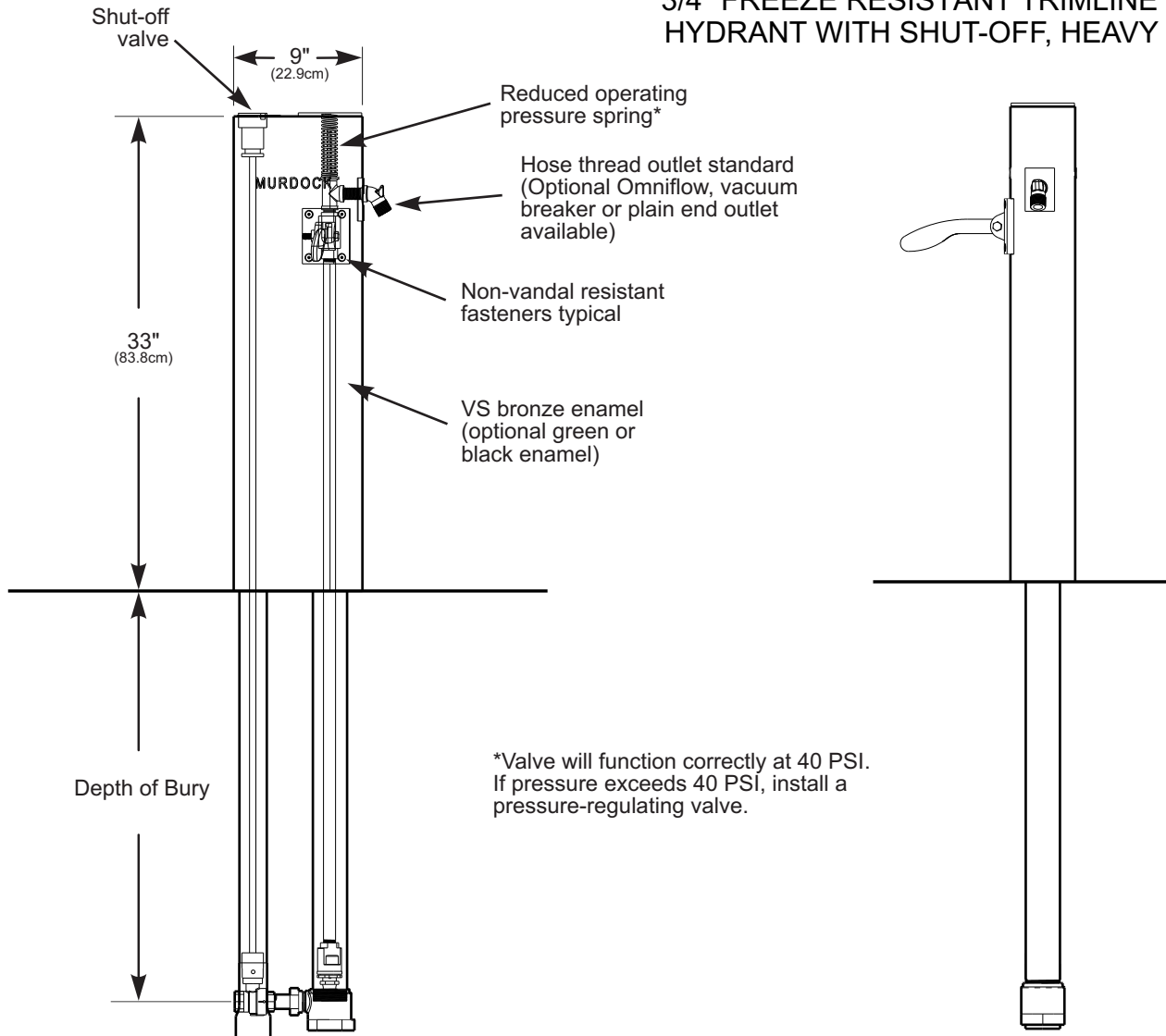
MURDOCK-SUPER SECUR A Member of Acorn Engineering's Family of Companies
15125 Proctor Avenue • City of Industry, CA 91746 USA • Phone 800-453-7465 or 626-333-2543 • Fax 626-855-4860



HYDRANTS

Post Hydrant MODEL M-ESH175VA

3/4" FREEZE RESISTANT TRIMLINE POST
HYDRANT WITH SHUT-OFF, HEAVY DUTY



ONE YEAR LIMITED WARRANTY - Parts are warranted for one (1) year from date of shipment.

SELECTION SUMMARY
& APPROVAL FOR
MANUFACTURING

Model Number & Options _____ Quantity _____

Company _____

Contact _____ Title _____

Signature (Approval for Manufacturing) _____ Date _____

All dimensions are nominal and subject to manufacturer's change without notice. Murdock-Super Secur assumes no responsibility for use of void or suspended data.
© Copyright Murdock-Super Secur, a division of Acorn Engineering Company. Please visit www.murdock-supersecur.com for most current specifications.

MURDOCK-SUPER SECUR A Member of Acorn Engineering's Family of Companies
15125 Proctor Avenue • City of Industry, CA 91746 USA • Phone 800-453-7465 or 626-333-2543 • Fax 626-855-4860

M-ESH175VA

08/14/14