



DRINKING FOUNTAIN

A152-SO Series

MODEL A152400S-SO

BARRIER FREE, BI-LEVEL, SENSOR OPERATED WALL MOUNTED DRINKING FOUNTAIN WITH 32" TRIM PANEL

STANDARD FEATURES

- Child or Adult ADA Compliant (when properly installed)
- 18 gage, 304 stainless steel
- Polished stainless steel, anti-rotation, non-squirt bubbler
- 100 mesh inlet strainer
- Vandal resistant screws
- P-trap
- Mounting plate with hardware
- 32 inch trim panel



"INDOOR USE ONLY"

SUGGESTED SPECIFICATIONS

Model A152400S-SO is a wall mounted, bi-level drinking fountain made from 18 gage, 304 stainless steel with a brushed finish and customer has to supply power for a 115 volt transformer. Lower unit shall be activated by a front mounted infrared sensor. Upper unit shall be actuated from front push bar by using less than 5 pounds of force, which activates internally mounted valves with adjustable stream regulators controlling the water flow. Bubblers shall be polished stainless steel with non-squirt features and operate on a water pressure range of 20-105 psig. Unit shall have a uniquely designed, two-piece contoured bowls with P-traps integral to the unit. Unit is certified to ANSI A117.1, Public Law 111-380 (NO-LEAD), CHSC 116875 and NSF/ANSI 61, Section 9. Fixture meets ADA, ADA Standing Person, and ADA Child requirements when mounted appropriately.

MODEL:

(Must Specify)

FLEXIBLE BUBBLER (LOW FLOW)

- A152200F-SO Bronze Finish
- A152300F-SO Gold Finish (High Polish)
- A152400F-SO Satin stainless Finish

LEAD-FREE STAINLESS STEEL BUBBLER

- A152200S-SO Bronze Finish
- A152300S-SO Gold Finish (High Polish)
- A152400S-SO Satin stainless Finish (Shown)

OPTIONS

(additional costs may be incurred)

- AP3 Access panel for a dual fountain (Must select -MF8)
- CSC Concealed support carrier
- FRA4 Freeze resistant valve system
- HP High polished stainless steel
- MF8 Mounting frame for a dual fountain
- RBL Reverse bi-level
- SK2 Skirt kit, 14 gage stainless steel, for upper unit
- SK3 Skirt kit, stainless steel, for upper unit
- WF1 1500 gallon capacity, NSF 42+53, 1 micron lead reduction filter



Member of
U.S. Green
Building
Council



Recyclable
Product



Water
Conserving
Product

Please visit www.murdockmfg.com
for most current specifications.

Complies
with the
following
standards:



Federal
Public Law
111-380
(No Lead)



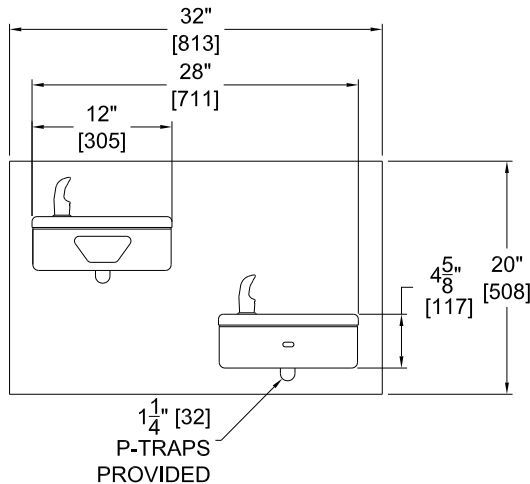
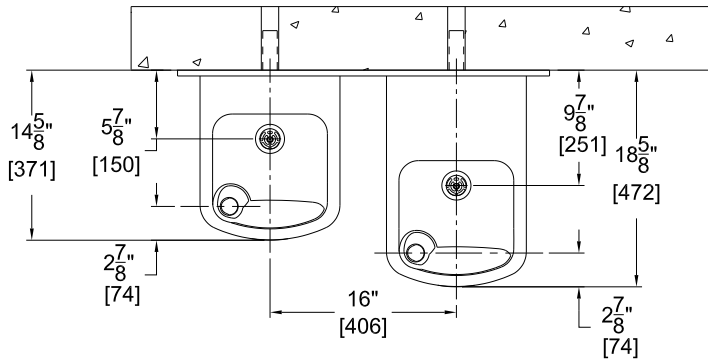
MURDOCK MFG. • 15125 Proctor Avenue • City of Industry, CA 91746 USA
Phone 800-453-7465 or 626-333-2543 • Fax 626-855-4860 • www.murdockmfg.com

Member of
MORRIS GROUP
INTERNATIONAL

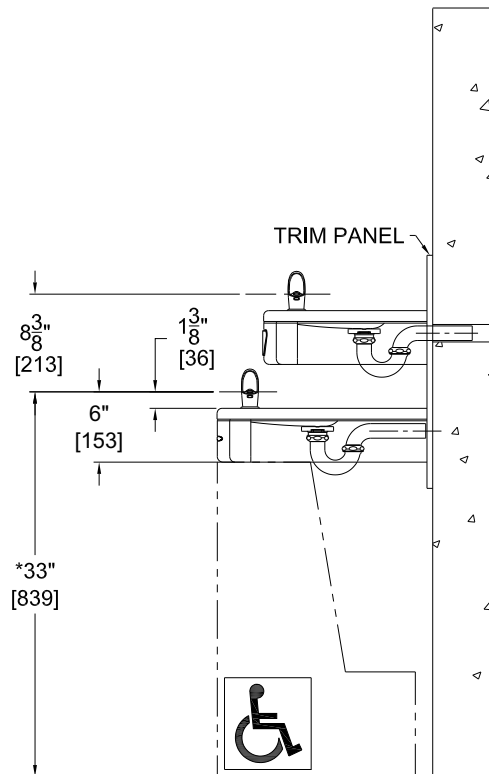


DRINKING FOUNTAIN

All dimensions are subject to manufactures tolerance of plus or minus 1/8" nominal and subject to change without notice. Murdock Mfg. assumes no responsibility for use of void or superseded data. Dimensions may change with the addition of optional accessories. Murdock Mfg.™, Member of Morris Group International™. Please visit www.Murdockmfg.com for most current specifications.



A152-SO Series MODEL A152400S-SO BARRIER FREE, BI-LEVEL, SENSOR OPERATED WALL MOUNTED DRINKING FOUNTAIN WITH 32" TRIM PANEL



GENERAL NOTES:

1. ALL DIMENSIONS ARE IN INCHES [MM].
- *2. DIMENSIONS SHOWN ARE FOR RECOMMENDED ADULT HEIGHT, ADJUST VERTICAL DIMENSIONS AS NECESSARY TO COMPLY WITH FEDERAL STATE AND LOCAL CODES.
3. STOP VALVE NOT PROVIDED.

Murdock Mfg.™ warrants that its products are free from defects in material or workmanship under normal use and service for a period of one year from date of shipment. Murdock's liability under this warranty shall be discharged solely by replacement or repair of defective material, provided Murdock™ is notified in writing within one year from date of shipment, F.O.B. Industry, California.

SELECTION SUMMARY & APPROVAL FOR MANUFACTURING	Model Number & Options _____	Quantity _____	All dimensions are subject to manufactures tolerance of plus or minus 1/8" nominal and subject to change without notice. Murdock assumes no responsibility for use of void or superseded data. Dimensions may change with the addition of optional accessories. Murdock Mfg.™, Member of Morris Group International™. Please visit www.murdockmfg.com for most current specifications.
	Company _____		
	Contact _____	Title _____	
	Signature (Approval for Manufacturing) _____	Date _____	