



# CONTEMPORARY DRINKING FOUNTAINS

## A151 Series

### MODEL A151400S-BF4

BARRIER FREE WALL MOUNTED  
DRINKING FOUNTAIN WITH SEMI-RECESSED  
SENSOR OPERATED BOTTLE FILLER

#### STANDARD FEATURES

- Both Child or Adult ADA Compliant (when properly installed)
- 18 gage, 304 stainless steel bowl
- Polished Lead-Free Stainless Steel, anti-rotation non-squirt Bubbler or Flexible Low Flow Bubbler
- 100 mesh inlet strainer
- Mounting frame
- 1 G.P.M. Fill Rate (Bottle Filler)
- Laminar Flow Water Supply (Bottle Filler)
- 115v Plug-in Transformer (Bottle Filler)

#### SUGGESTED SPECIFICATIONS

Model A151400S-BF4 is a wall mounted drinking fountain and bottle filler combination made from 18 gage, 304 stainless steel with a brushed finish. Fountain shall be activated by self-closing, frontal push pads, by using less than 5 pounds of force, which activates internally mounted valves with adjustable stream regulators controlling the water flow. Bottle filler activates using an infrared sensor. Bubbler shall be polished stainless steel with non-squirt feature and operates on a water pressure range of 20-105 psig. Unit shall have uniquely designed, two-piece contoured bowl with a P-trap integral to the unit. Fountain is certified to ANSI A117.1, NSF/ANSI 61, Section 9, Public Law 111-380 (NO-LEAD), and CHSC 116875. Fixture meets ADA, ADA Standing Person, and ADA Child requirements when mounted appropriately.



#### MODEL: (Must Specify)

##### FLEXIBLE BUBBLER (LOW FLOW)

- A151200F-BF4 Bronze Finish
- A151300F-BF4 Gold Finish (High Polish)
- A151400F-BF4 Satin stainless Finish

##### LEAD-FREE STAINLESS STEEL BUBBLER

- A151200S-BF4 Bronze Finish
- A151300S-BF4 Gold Finish (High Polish)
- A151400S-BF4 Satin stainless Finish (Shown)

#### OPTIONS

(additional costs may be incurred)

- BCD Bottle Counter Display (Bottle Filler)
- HP High polished stainless steel
- WF1 1500 gallon capacity, NSF 42+53, 1 micron lead reduction filter



Member of  
U.S. Green  
Building  
Council



Recyclable  
Product



Water  
Conserving  
Product

Please visit [www.murdockmfg.com](http://www.murdockmfg.com)  
for most current specifications.

Complies  
with the  
following  
standards:



MURDOCK MFG. • 15125 Proctor Avenue • City of Industry, CA 91746 USA  
Phone 800-453-7465 or 626-333-2543 • Fax 626-855-4860 • [www.murdockmfg.com](http://www.murdockmfg.com)

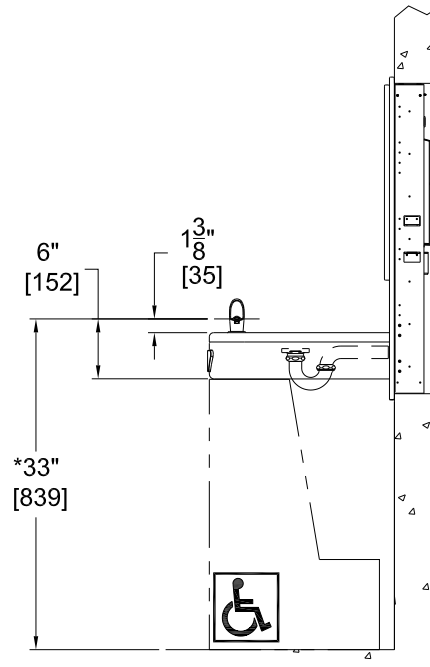
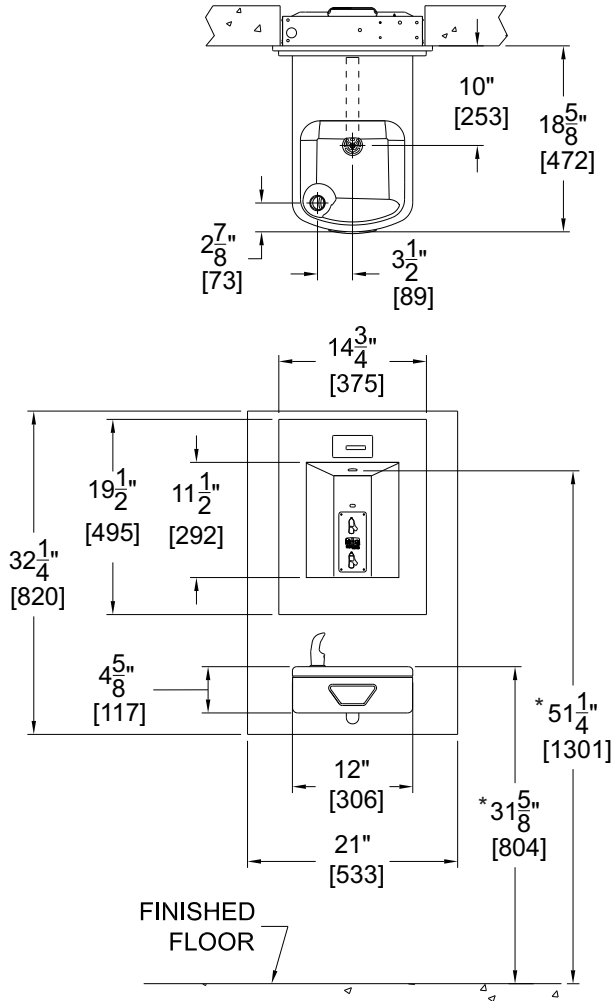
Member of  
MORRIS GROUP  
INTERNATIONAL



# CONTEMPORARY DRINKING FOUNTAINS

All dimensions are subject to manufactures tolerance of plus or minus 1/8" nominal and subject to change without notice. Murdock Mfg. assumes no responsibility for use of void or superseded data. Dimensions may change with the addition of optional accessories. Murdock Mfg.™, Member of Morris Group International™. Please visit [www.Murdockmfg.com](http://www.Murdockmfg.com) for most current specifications.

## A151 Series MODEL A151400S-BF4 BARRIER FREE WALL MOUNTED DRINKING FOUNTAIN WITH SEMI-RECESSED SENSOR OPERATED BOTTLE FILLER



### GENERAL NOTES:

1. ALL DIMENSIONS ARE IN INCHES [MM].
- \*2. DIMENSIONS SHOWN ARE FOR RECOMMENDED ADULT HEIGHT. ADJUST VERTICAL DIMENSIONS AS NECESSARY TO COMPLY WITH FEDERAL, STATE, & LOCAL CODES.

Murdock Mfg.™ warrants that its products are free from defects in material or workmanship under normal use and service for a period of one year from date of shipment. Murdock's liability under this warranty shall be discharged solely by replacement or repair of defective material, provided Murdock™ is notified in writing within one year from date of shipment, F.O.B. Industry, California.

<b>SELECTION SUMMARY &amp; APPROVAL FOR MANUFACTURING</b>	Model Number & Options _____	Quantity _____	All dimensions are subject to manufactures tolerance of plus or minus 1/8" nominal and subject to change without notice. Murdock assumes no responsibility for use of void or superseded data. Dimensions may change with the addition of optional accessories. Murdock Mfg.™, Member of Morris Group International™. Please visit <a href="http://www.murdockmfg.com">www.murdockmfg.com</a> for most current specifications.
	Company _____		
	Contact _____	Title _____	
	Signature (Approval for Manufacturing) _____	Date _____	

**MURDOCK MFG.** • 15125 Proctor Avenue • City of Industry, CA 91746 USA  
Phone 800-453-7465 or 626-333-2543 • Fax 626-855-4860 • [www.murdockmfg.com](http://www.murdockmfg.com)

Member of MORRIS GROUP INTERNATIONAL